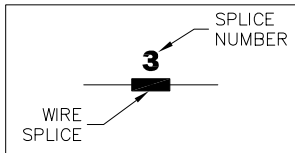
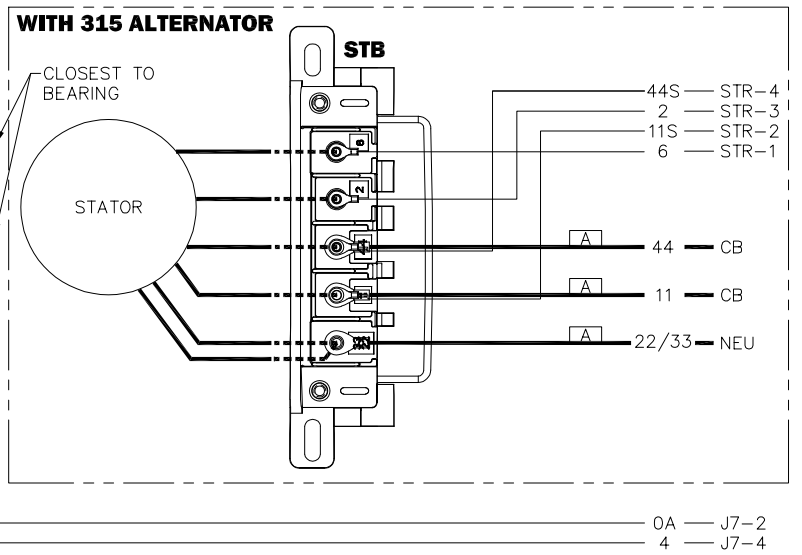
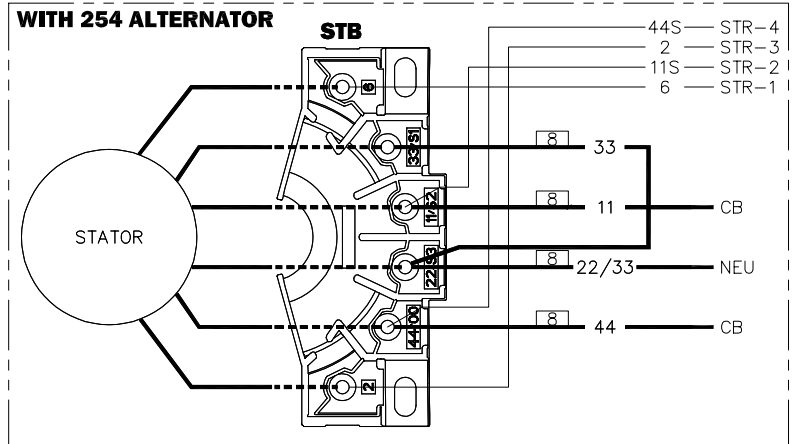


COMPONENTS LOCATED IN ENGINE COMPARTMENT

LEGEND:

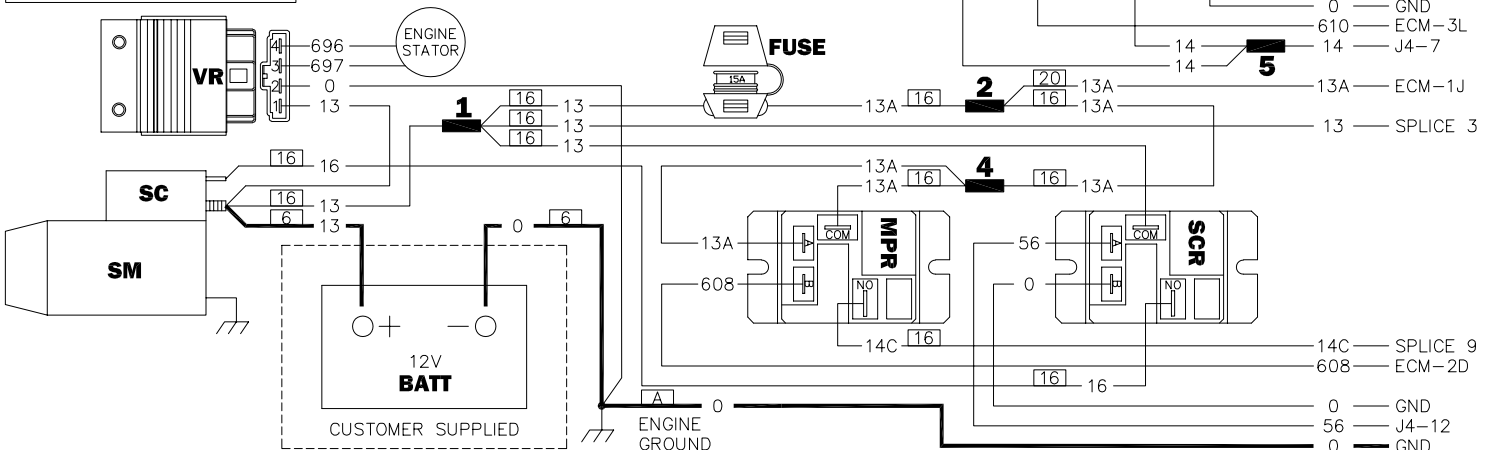
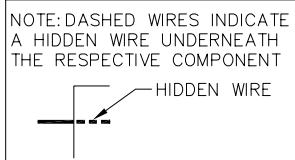
- BA\_ - BRUSH ASSEMBLY
- BATT - BATTERY
- CB - CIRCUIT BREAKER
- CM - CONNECTIVITY MODULE
- CRKS - CRANKSHAFT POSITION SENSOR
- CT\_ - CURRENT TRANSFORMER
- ECM - ENGINE CONTROL MODULE CONNECTOR
- EGND - ENGINE GROUND
- EHT - ENGINE HEAD TEMPERATURE SENSOR
- EMC - ELECTRONIC MIXER CONTROL VALVE
- ETC - ELECTRONIC THROTTLE CONTROL VALVE
- ETMC - ENGINE THROTTLE/MIXER CONNECTOR
- FPS - FUEL PRESSURE SENSOR
- GND - GROUND
- IC\_ - IGNITION COIL
- MPR - MASTER POWER RELAY
- MPS - MIXER POSITION SENSOR
- NEU - NEUTRAL
- OLS - OIL LEVEL SENSOR
- OPS - OIL PRESSURE SWITCH
- OS - OXYGEN SENSOR
- SC - STARTER CONTACTOR
- SCR - STARTER CONTACTOR RELAY
- SM - STARTER MOTOR
- SOV\_ - FUEL SHUT OFF VALVE
- STB - STATOR TERMINAL BLOCK
- STR - STATOR CONNECTOR
- TB\_ - TERMINAL BLOCK
- TTMAP - THROTTLE TEMP. MANIFOLD AIR PRES.
- VR - VOLTAGE REGULATOR



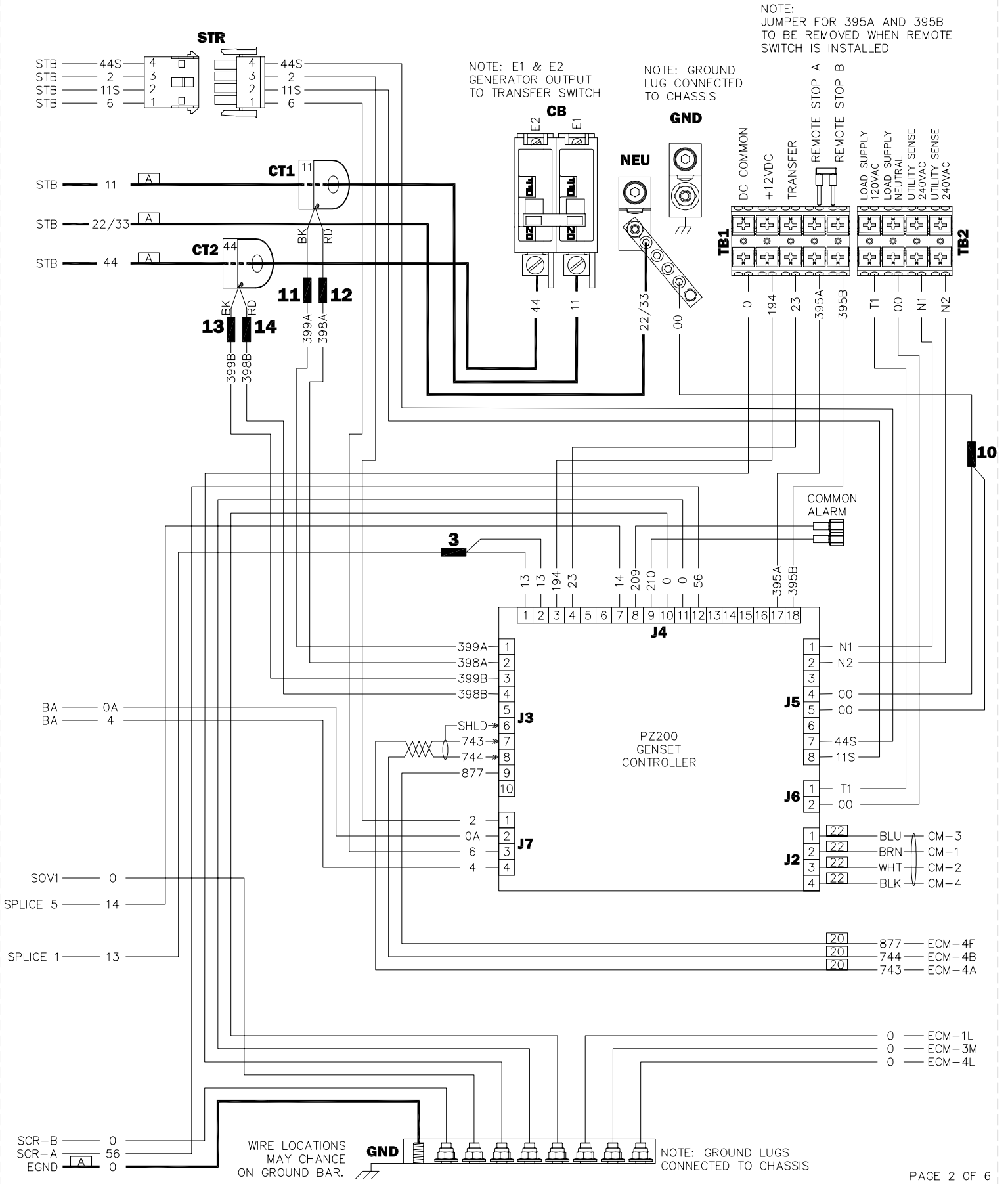
NOTE: ALL WIRES 18 AWG 300V UL LISTED UNLESS SHOWN OTHERWISE.

AWG SIZE	AWG CHART LETTER REF.
12	
OR	
XX	

GENERATOR SIZE	AWG "A"
14-24KW	8
26-28KW	6

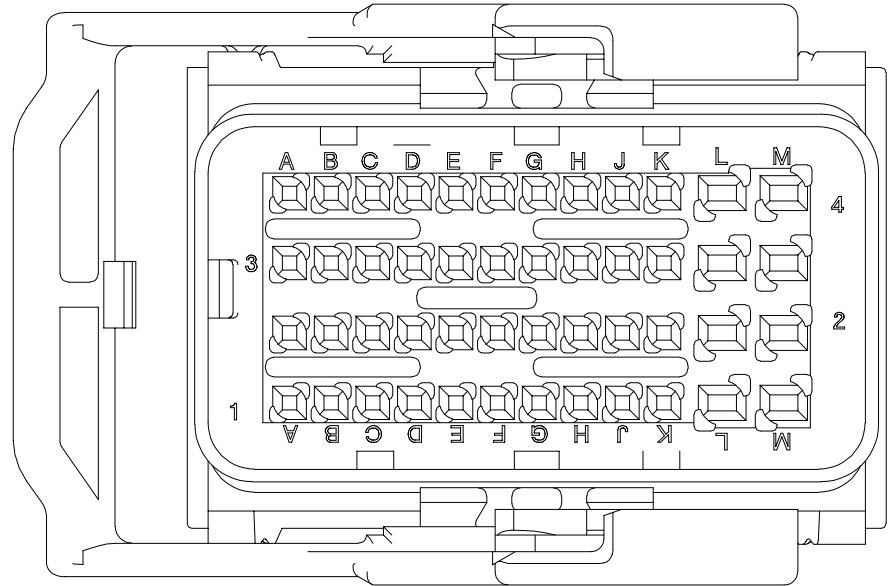
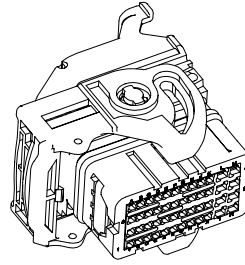
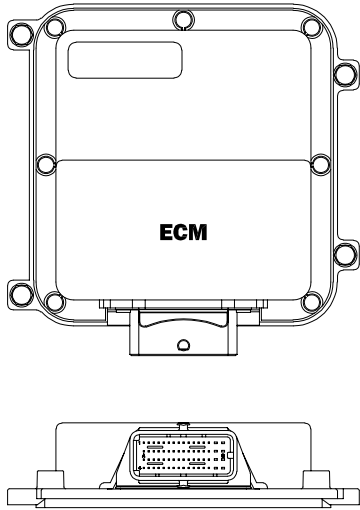


COMPONENTS LOCATED IN CONTROL PANEL



COMPONENTS LOCATED IN CONTROL PANEL

ENGINE CONTROL MODULE



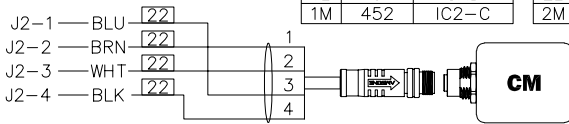
CONNECTOR END VIEW

PIN LIST		
ECM		
PIN	WIRE	TO
1A	605A	ETMC-13
1B	605B	ETMC-14
1C	79A	CRKS-A
1D	79B	CRKS-B
1E	770A	ETMC-9
1F	771A	ETMC-11
1G	770B	ETMC-10
1H	771B	ETMC-12
1J	13A	SPLICE 2
1K	14C	SPLICE 6
1L	0	GND
1M	452	IC2-C

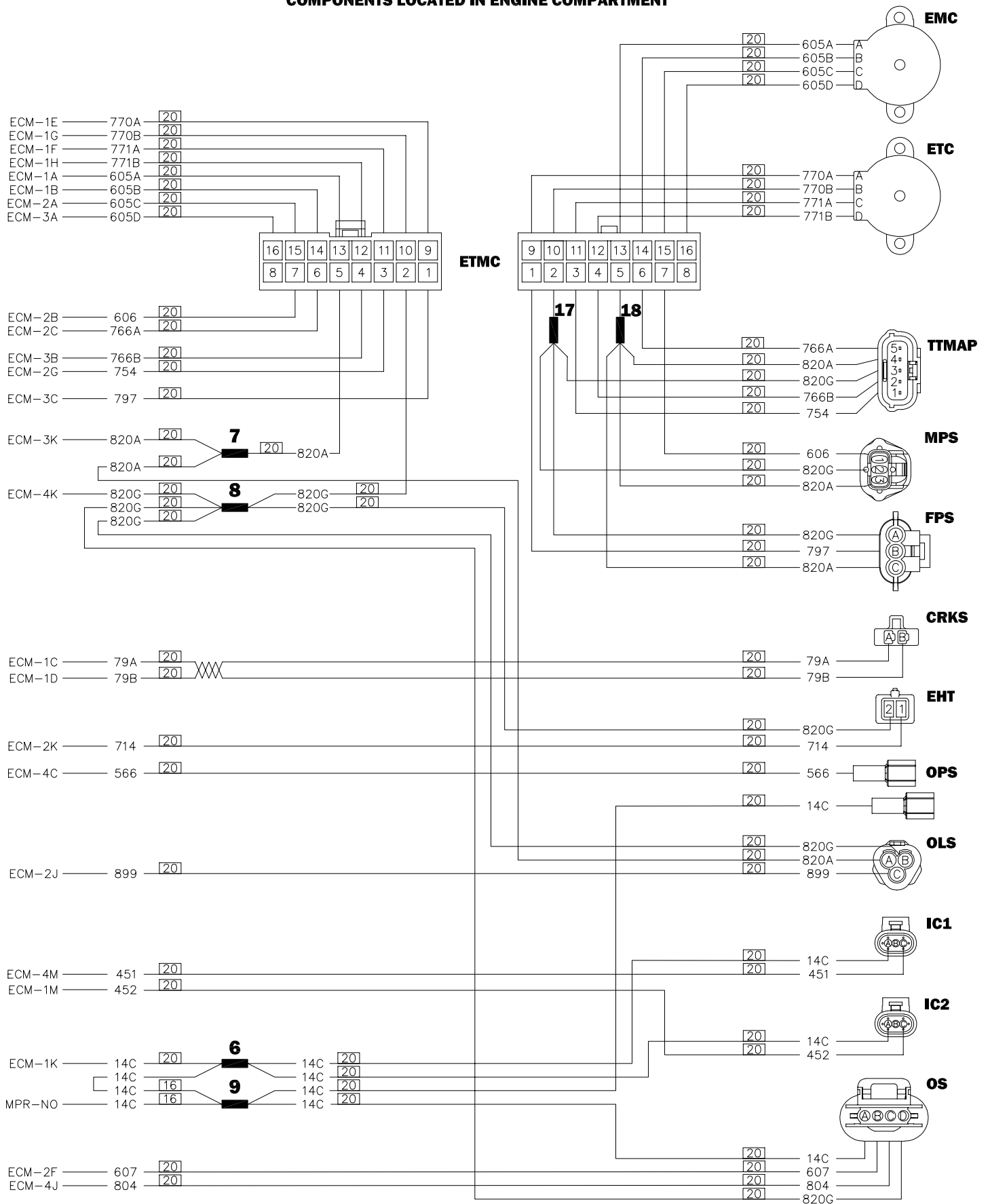
PIN LIST		
ECM		
PIN	WIRE	TO
2A	605C	ETMC-15
2B	606	ETMC-7
2C	766A	ETMC-6
2D	608	MPR-B
2E	-	-
2F	607	OS-B
2G	754	ETMC-3
2H	-	-
2J	899	OLS-C
2K	714	EHT-1
2L	-	-
2M	-	-

PIN LIST		
ECM		
PIN	WIRE	TO
3A	605D	ETMC-16
3B	766B	ETMC-4
3C	797	ETMC-1
3D	-	-
3E	-	-
3F	-	-
3G	-	-
3H	-	-
3J	-	-
3K	820A	SPLICE 7
3L	610	SOV2
3M	0	GND

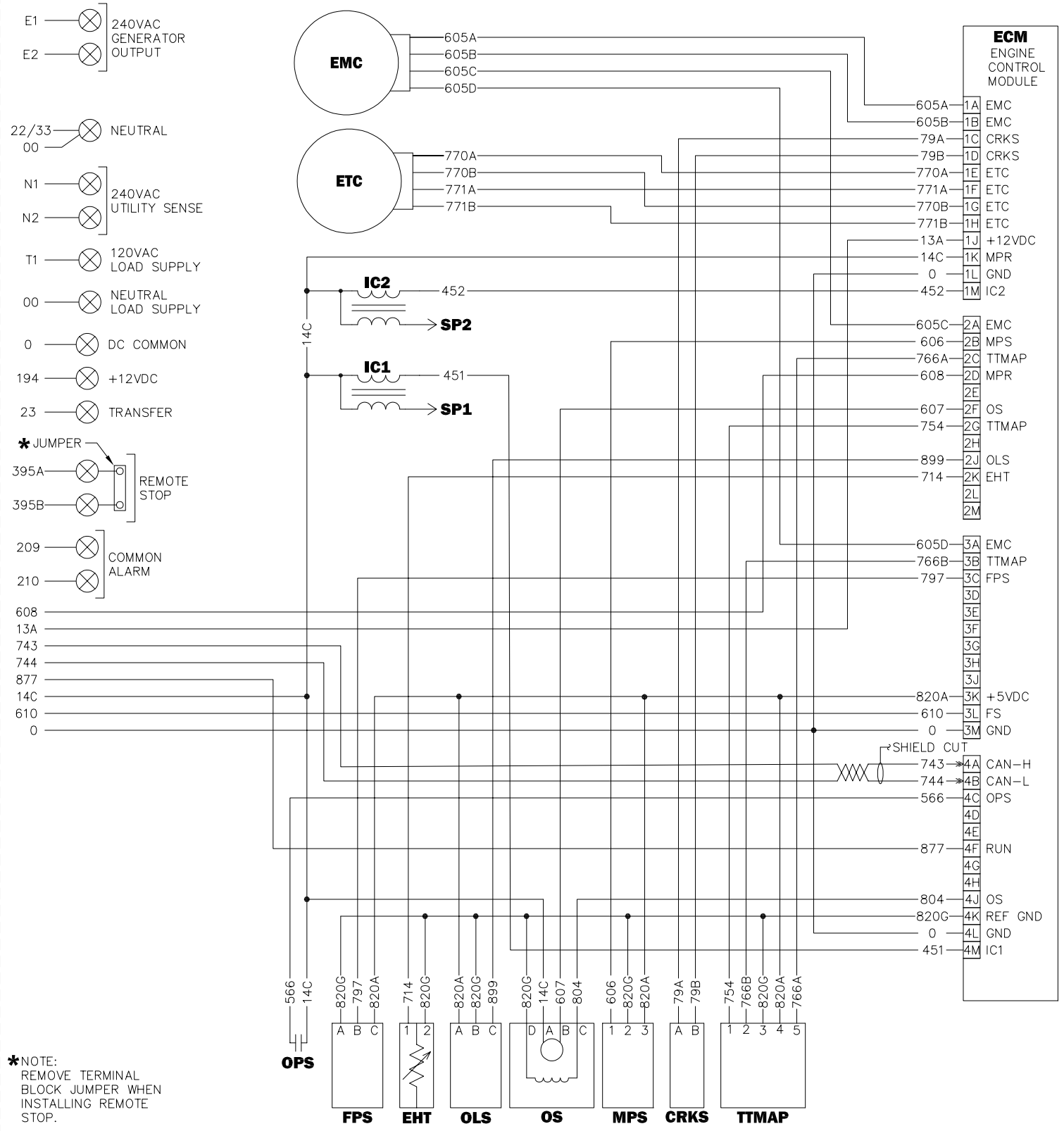
PIN LIST		
ECM		
PIN	WIRE	TO
4A	743	J3-7
4B	744	J3-8
4C	566	OPS
4D	-	-
4E	-	-
4F	877	J3-9
4G	-	-
4H	-	-
4J	804	OS-C
4K	820G	SPLICE 8
4L	0	GND
4M	451	IC1-C



COMPONENTS LOCATED IN ENGINE COMPARTMENT







**\*NOTE:**  
REMOVE TERMINAL BLOCK JUMPER WHEN INSTALLING REMOTE STOP.

LEGEND			
ALT - ENGINE CHARGING ALTERNATOR	ECM - ENGINE CONTROL MODULE	IC_ - IGNITION COIL	SC - STARTER CONTACTOR
BA_ - BRUSH ASSEMBLY	EHT - ENGINE HEAD TEMPERATURE SENSOR	MPR - MASTER POWER RELAY	SCR - STARTER CONTACTOR RELAY
CB - CIRCUIT BREAKER	EMC - ELECTRONIC MIXER CONTROL VALVE	MPS - MIXER POSITION SENSOR	SM - STARTER MOTOR
CM - CONNECTIVITY MODULE	ETC - ELECTRONIC THROTTLE CONTROL VALVE	OLS - OIL LEVEL SENSOR	SOV - FUEL SHUT OFF VALVE
CRKS - CRANKSHAFT POSITION SENSOR	FPS - FUEL PRESSURE SENSOR	OPS - OIL PRESSURE SWITCH	SP_ - SPARK PLUG
CT_ - CURRENT TRANSFORMER	GND - GROUND	OS - OXYGEN SENSOR	TTMAP - THROTTLE TEMP. MANIFOLD AIR PRESSURE
			VR - VOLTAGE REGULATOR